



## HRH-9/S

Additional signaling to the product HRH-9

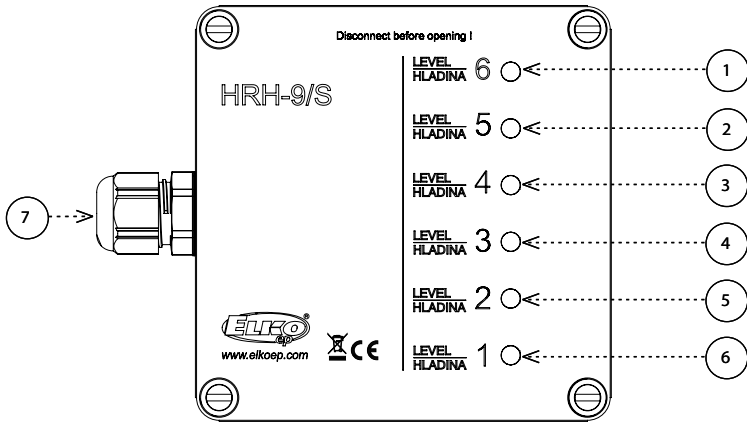
Made in Czech Republic  
 02-05/2021 Rev.:0



### Characteristics

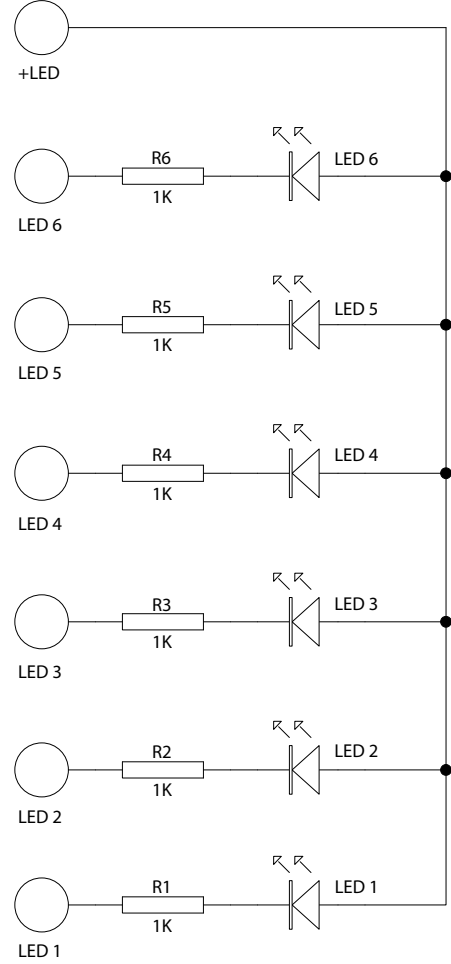
- additional (external) LED signaling of level status to the product HRH-9
- 6 red indicator LEDs - levels 1 ... 6
- box with IP65 protection
- gland for supply cable

### Description

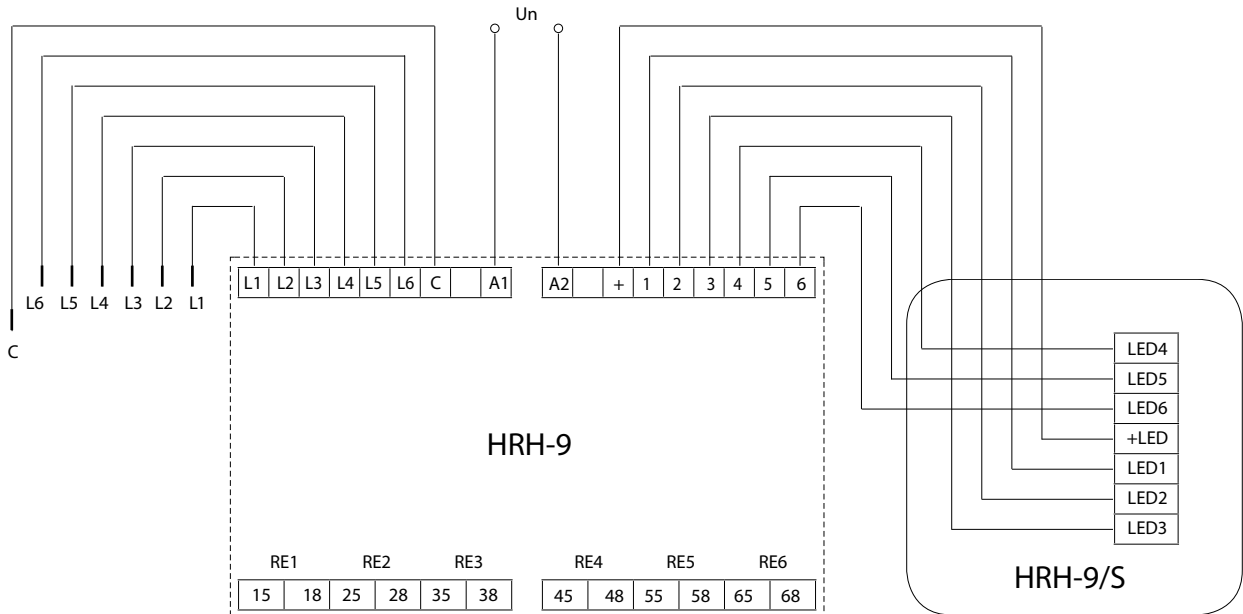


1. LED6 - level L6 indication
2. LED5 - level L5 indication
3. LED4 - level L4 indication
4. LED3 - level L3 indication
5. LED2 - level L2 indication
6. LED1 - level L1 indication
7. gland for supply cable

### Connection



### Connection with HRH-9



### Warning

The device is designed for connection to DC circuits (according to the type, voltage ranges must be observed).