



FAN code
T13-10B: 8595188132886
T13-40B: 8595188132695

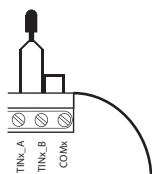
Technical parameters	T13-10B	T13-40B
Input		
Temperature input for temperature measuring:	1x inputs for external thermo sensor *	4x inputs for external thermo sensor*
Temperature measurement range:	by type of sensor, prob from -50°C to 400°C	
Converter resolution:	15 bit	
Communication		
Installation BUS:	BUS	
Status indication unit:	green LED RUN	
Power supply		
Supply voltage / tolerance:	27 V DC, -20 / +10 %	
Dissipated power:	max. 1 W	
Rated current:	20 mA (at 27V DC), from BUS	
Connection		
Terminal:	0.5 mm ² - 1 mm ²	
Operating conditions		
Operating temperature:	-20 .. +55 °C	
Storing temperature:	-30 .. +70 °C	
Protection degree:	IP30	
Overvoltage category:	II.	
Pollution degree:	2	
Operating position:	any	
Installation:	into installation box	
Dimensions and weight		
Dimensions:	49 x 49 x 13 mm	
Weight:	27 g	27 g

*TC, TZ, Ni1000, Pt1000, Pt100, see accessories

Connection options

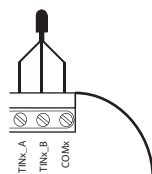
2-wire

- it is necessary to connect terminals TIN_B and COM



3-wire

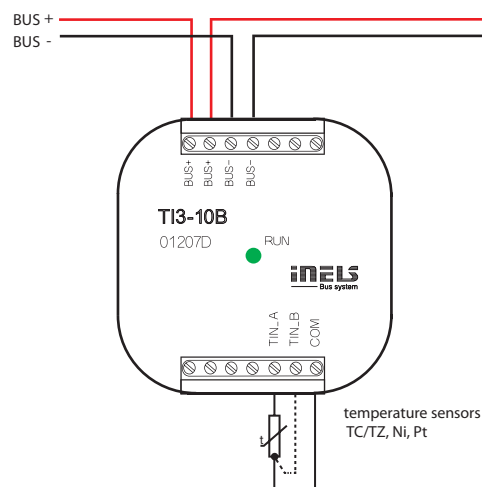
- connection of the sensor needs to be done according to the technical specifications



- These units are designed for connection of one (T13-10B) to four (T13-40B) external temperature sensors.
- Units range T13 support the connection of the following temperature sensors:
 - TC / TZ - 2-wire connections
 - Ni1000, Pt1000, Pt100 - 2-wire and 3-wire connections.
- Used in when necessary to take temperatures from different places (for example large floor heating – diagonal layout of sensors, floor/ space, indoor/outdoor temperature, technological device – boiler, solar heating etc.)
- Status of units indicated by green RUN LED on the front panel:
 - If the supply voltage is connected (units are powered via the BUS), but there is no communication with the master, RUN LED is lit continuously.
 - If the supply voltage is connected and the unit communicates via standard BUS, RUN LED flashes.
- T13-10B, T13-40B in version B is designed for mounting into an installation box.

Connection

T13-10B



T13-40B

