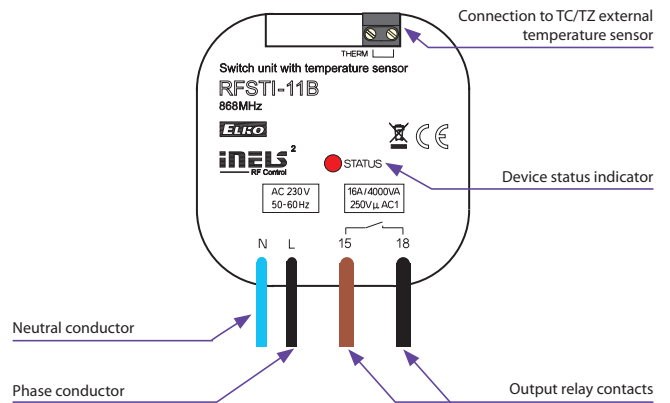




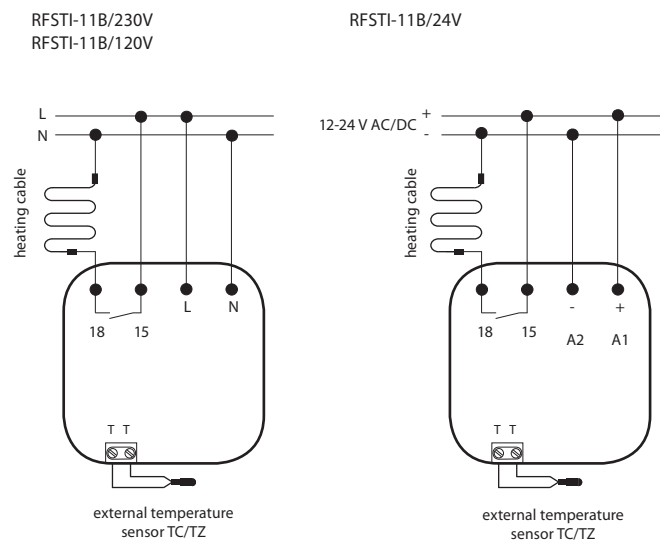
- The temperature unit measures the temperature by external sensor, and controls the heating circuit (electric underfloor heating, air conditioning, boiler, etc.).
- These can be combined with system units: smart RF box eLAN-RF, wireless controller RFTC-50/G or touch unit RF Touch.
- It measures temperature in a range of -20 to 50 °C and sends it to the system unit in regular 5 min. intervals. It sends a signal upon sudden temperature change.
- Setting the heat/cool function, hysteresis and offset is performed in the system unit or application.
- It enables connection of the switched load up to 16 A (4 000 W).
- Range up to 160 m (in open space), if the signal is insufficient between the controller and unit, use the signal repeater RFRP-20 or protocol component RFIO2 that support this feature.
- Communication frequency with bidirectional protocol RFIO2.
- The BOX design lets you mount it right in an installation box, a ceiling or controlled appliance cover.
- External sensor TC (-20 to +80 °C) or TZ (-40 to +125 °C) for length of 3 m, 6 m, 12 m. For more information see „Accessories“ on page 43.

Technical parameters	RFSTI-11B/230V	RFSTI-11B/120V	RFSTI-11B/24V
Supply voltage:	230 V AC	120 V AC	12–24 V AC/DC
Supply voltage frequency:	50–60 Hz	60 Hz	50–60 Hz
Apparent input:	7 VA/cos φ= 0.1		-
Dissipated power:	0.7 W		
Supply voltage tolerance:	+10 %; -15 %		
Temperature measurement input:	1x external TZ/TC temperature sensor input		
Temp. measurement range and accuracy:	-20 to +50 °C; 0.5 °C of the range		
Output			
Number of contacts:	1x switching (AgSnO ₂)		
Rated current:	16 A/AC1		
Switching power:	4000 VA/AC1, 384 W/DC		
Peak current:	30 A/<3 s		
Switching voltage:	250 V AC1/24 V DC		
Max. DC switching power:	500 mW		
Mechanical service life:	3x10 ⁷		
Electrical service life (AC1):	0.7x10 ⁵		
Control			
Communication protocol:	RFIO2		
Frequency:	866–922 MHz (for more information see p. 76)		
Repeater function:	yes		
Range:	in open space up to 160 m		
Other data			
Operating temperature:	-15 to +50 °C		
Status indication:	red LED		
Operating position:	any		
Mounting:	free at lead-in wires		
Protection:	IP30		
Overvoltage category:	III.		
Contamination degree:	2		
Outlets (CY wire, cross-section, length):	2 x 0.75 mm ² , 2 x 2.5 mm ² , 90 mm		
Dimensions:	49 x 49 x 21 mm		
Weight:	46 g		
Related standards:	EN 60669, EN 300 220, EN 301 489 R&TTE Directive, Order. No 426/2000 Coll. (Directive 1999/EC)		

Device description



Connection



Temperature sensor input is at the supply voltage potential.